



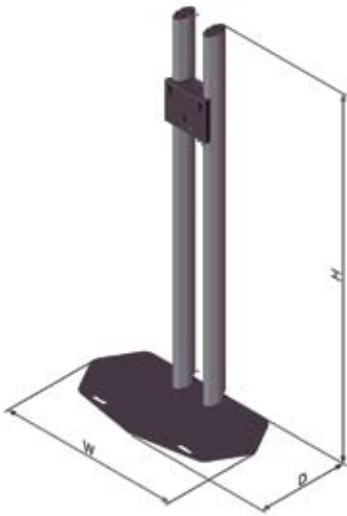
## Audipack 700 series, designed to be displayed

**T**he Audipack 700 series flat panel floor stands are more than just a product, they are presentation solutions offering many advantages. A unique variety of products based on one specially designed concept. A concept that has resulted in a wide range of standardized Audipack products, but also offers the possibility of customizing, tailored to individual needs. The Audipack 700 series is a range of supports and stands for flat panels which offers precision combined with flexibility. This concept complies with the functional, technical and aesthetical demands of today's professional presentation. Creating a base for numerous applications where design, safety, user-friendliness and flexibility are key elements. The Audipack 700 series is equipped with the Audipack Lock&Secure mounting system.

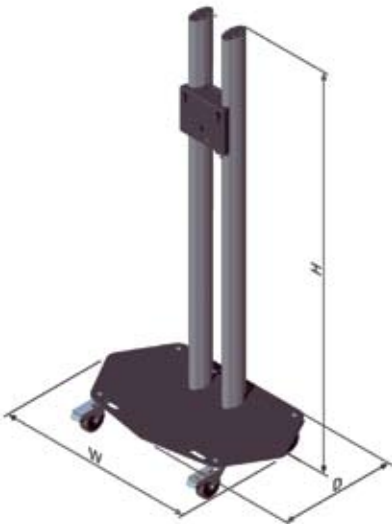
### Features

- ▲ 3 integrated separate cable channels per column
- ▲ Dividable versions with quick release fixations
- ▲ Detachable column (cable) covers
- ▲ Portrait or landscape flat panel positioning
- ▲ Continuously adjustable flat panel height
- ▲ Standard or custom built models available



**Floor stands L&S 3**


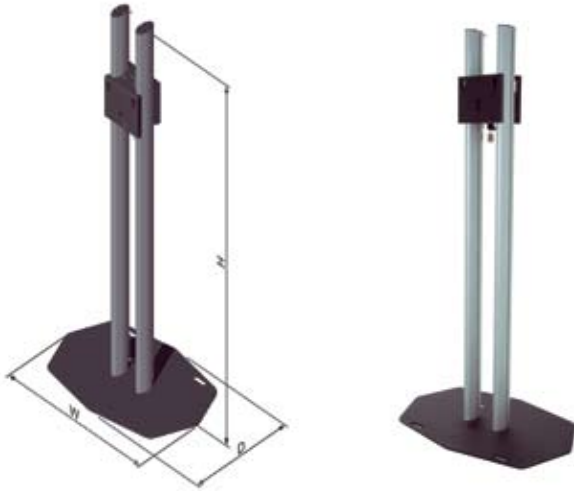
| Ref.                     | 390700                 | 390701                 | 390702                 | 390707                 | 390708                 |
|--------------------------|------------------------|------------------------|------------------------|------------------------|------------------------|
| Type                     | Floor stand            | Dividable floor stand  | Dividable floor stand  | Dividable floor stand  | Floor stand            |
| Dimensions in mm         | W 900 x D 450 x H 1821 | W 900 x D 450 x H 1829 | W 900 x D 530 x H 2029 | W 900 x D 530 x H 1829 | W 900 x D 530 x H 1821 |
| Max. diagonal flat panel | 55 inch                | 55 inch                | 63-65 inch             | 63-65 inch             | 63-65 inch             |
| Nett weight              | ± 39 Kg                | ± 45 Kg                | ± 46 Kg                | ± 49 Kg                | ± 42 Kg                |
| Max. load                | 60 Kg                  | 60 Kg                  | 60 Kg                  | 85 Kg                  | 85 Kg                  |

**Floor stands on wheels L&S 3**


| Ref.                     | 390704                 | 390705                          |
|--------------------------|------------------------|---------------------------------|
| Type                     | Floor stand on wheels  | Dividable floor stand on wheels |
| Dimensions in mm         | W 900 x D 530 x H 1804 | W 900 x D 530 x H 1812          |
| Max. diagonal flat panel | 55 inch                | 55 inch                         |
| Nett weight              | ± 40 Kg                | ± 51 Kg                         |
| Max. load                | 60 Kg                  | 60 Kg                           |

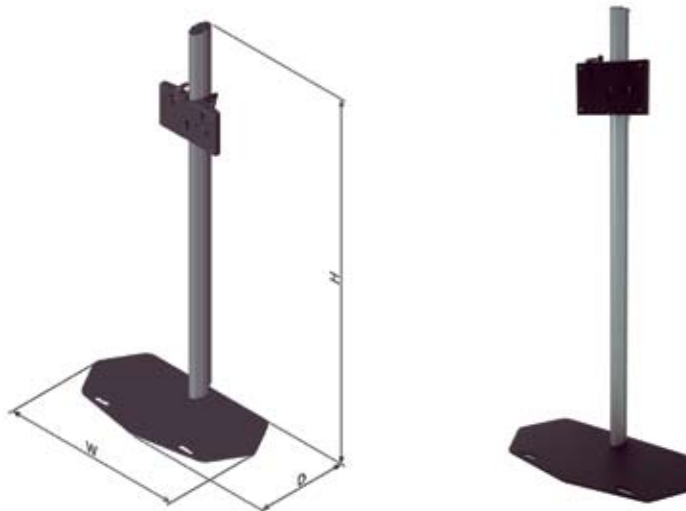


**All Audipack flightcases are made on request.  
Size, colour and way of use is customers choice.**

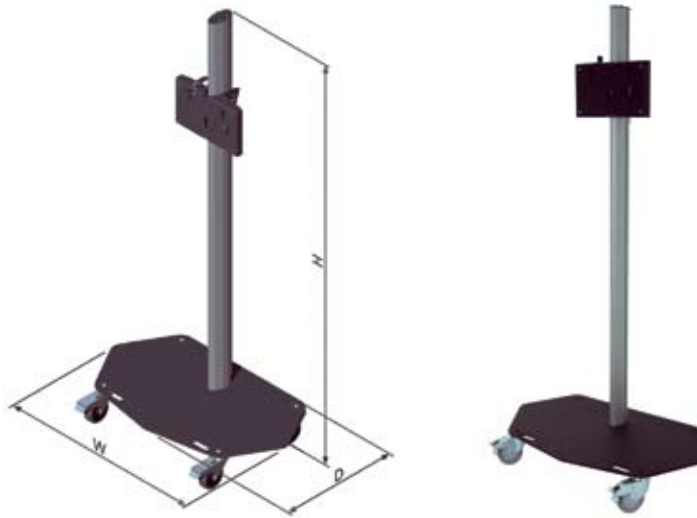
**Floor stand for 2 flat panels L&S 3**


|                          |  |
|--------------------------|--|
| <b>Ref.</b>              | <b>390706</b>                              |
| Type                     | Floor stand for 2 flat panels back to back |
| Dimensions in mm         | W 900 x D 600 x H 1821                     |
| Max. diagonal flat panel | 55 inch                                    |
| Nett weight              | ± 42 Kg                                    |
| Max. load                | 80 Kg (symmetrical)                        |

**Flightcase for flat panel and Quick Release 700 series floor stand**

**Floor stands single column L&S 3**


| <b>Ref.</b>              | <b>390770</b>          | <b>390771</b>          |
|--------------------------|------------------------|------------------------|
| Type                     | Floor stand            | Dividable floor stand  |
| Dimensions in mm         | W 900 x D 450 x H 1821 | W 900 x D 450 x H 1829 |
| Max. diagonal flat panel | 40 inch                | 37 inch                |
| Nett weight              | ± 26 Kg                | ± 32 Kg                |
| Max. load                | 30 Kg                  | 30 Kg                  |

**Floor stands on wheels L&S 3**


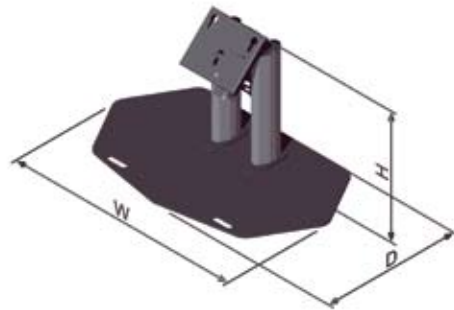
| Ref.                     | 390774                 | 390775                              |
|--------------------------|------------------------|-------------------------------------|
| Type                     | Floor stand on wheels  | Quick-Release floor stand on wheels |
| Dimensions in mm         | W 900 x D 530 x H 1804 | W 900 x D 530 x H 1812              |
| Max. diagonal flat panel | 40 inch                | 37 inch                             |
| Nett weight              | ± 29 Kg                | ± 35 Kg                             |
| Max. load                | 30 Kg                  | 30 Kg                               |

**Video wall floor stand L&S 3**

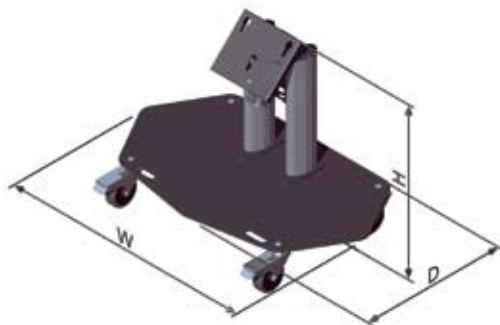

| Ref.                     | 390725                                      |
|--------------------------|---|
| Type                     | Quick-Release floor stand for 3 flat panels |
| Dimensions in mm         | W 900 x D 450 x H 2729                      |
| Max. diagonal flat panel | 42 inch per piece                           |
| Nett weight              | ± 60 Kg                                     |
| Max. load                | 120 Kg                                      |

**Floor stand on wheels L&S 3**


| Ref.                     | 390780                  |
|--------------------------|-------------------------|
| Type                     | Floor stand on wheels   |
| Dimensions in mm         | W 1255 x D 733 x H 1856 |
| Max. diagonal flat panel | 65 inch                 |
| Nett weight              | ± 32 Kg                 |
| Max. load                | 85 Kg                   |

**Floor monitor stands L&S 3**


| Ref.                     | 390720                            | 390722                |
|--------------------------|-----------------------------------|-----------------------|
| Type                     | Quick-Release floor monitor stand | Floor monitor stand   |
| Dimensions in mm         | W 900 x D 530 x H 494             | W 900 x D 530 x H 486 |
| Max. diagonal flat panel | 55 inch                           | 55 inch               |
| Nett weight              | ± 27 Kg                           | ± 27 Kg               |
| Max. load                | 60 Kg                             | 60 Kg                 |

**Floor monitor stands on wheels L&S 3**


| Ref.                     | 390721                                      | 390723                        |
|--------------------------|---|-------------------------------|
| Type                     | Quick-Release floor monitor stand on wheels | Floor monitor stand on wheels |
| Dimensions in mm         | W 900 x D 530 x H 621                       | W 900 x D 530 x H 613         |
| Max. diagonal flat panel | 55 inch                                     | 55 inch                       |
| Nett weight              | ± 30 Kg                                     | ± 30 Kg                       |
| Max. load                | 60 Kg                                       | 60 Kg                         |

**Options for double column floor stands**



| Ref.                            | 390715   | 390716   |
|---------------------------------|--|--|
| Type                            | Laptop support for double column 700 series floor stands | Laptop support for double column 700 series floor stands |
| Max. dimensions equipment in mm | W 300 x D 250  | W 450 x D 350  |
| Maximum load                    | 10 Kg  | 10 Kg  |

**Options for single column floor stands**



| Ref.                            | 390729   | 390730   | 390731   |
|---------------------------------|--|--|--|
| Type                            | Laptop support for single column 700 series floor stands | Laptop support for single column 700 series floor stands | Camera support for single column 700 series floor stands |
| Max. dimensions equipment in mm | W 300 x D 250  | W 450 x D 350  | W 250 x D 250  |
| Maximum load                    | 10 Kg  | 10 Kg  | 10 Kg  |



**Options for double column stand**



|                                 |  |
|---------------------------------|--|
| <b>Ref.</b>                     | <b>390737</b>  |
| Type                            | Laptop housing for double column 700 series floor stands |
| Max. dimensions equipment in mm | W 400 x D 55 x H 350                                     |
| Maximum load                    | 10 Kg  |

**Options for double column floor stands**



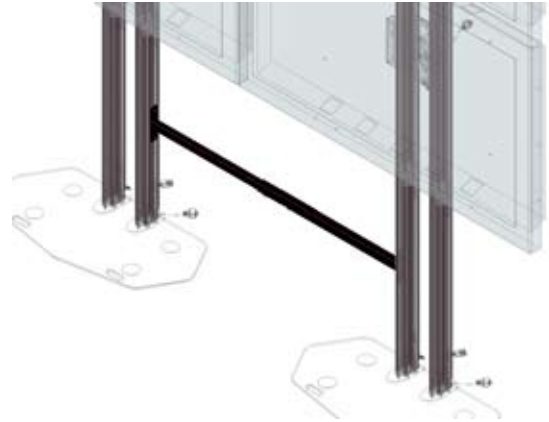
|                                 |  |  |
|---------------------------------|--|--|
| <b>Ref.</b>                     | <b>390735</b>  | <b>390736</b>  |
| Type                            | Laptop housing for double column 700 series floor stands | Laptop housing for double column 700 series floor stands |
| Max. dimensions equipment in mm | W 440 x D 380 x H 110                                    | W 440 x D 380 x H 80                                     |
| Maximum load                    | 10 Kg  | 10 Kg  |

**Option**



|             |  |
|-------------|--|
| <b>Ref.</b> | <b>230052</b>                                |
| Type        | Numeric padlock for 700 series mounting head |

**Option**



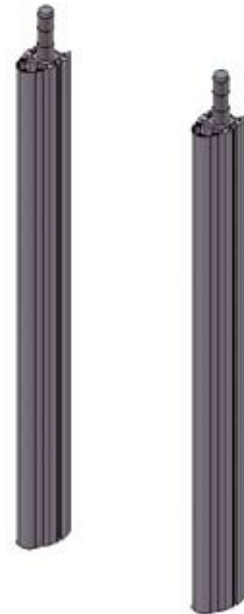
|             |   |
|-------------|---|
| <b>Ref.</b> | <b>390728</b>                           |
| Type        | Set of connectors to connect 2 x 390725 |

**Option**



|                   |   |
|-------------------|---|
| <b>Ref.</b>       | <b>390724</b>                           |
| Type              | Column set to change 390701 into 390721 |
| Nett length in mm | 400                                     |

**Option**



|                   |  |
|-------------------|--|
| <b>Ref.</b>       | <b>390732</b>  |
| Type              | Set of 2 extension columns for dividable double column 700 series floor stands |
| Nett length in mm | 900  |

**Options for double column floor stands**



|                          |   |
|--------------------------|---|
| <b>Ref.</b>              | <b>390711</b>   |
| Type                     | L&S 3 Mounting head for double column 700 series floor stands |
| Max. diagonal flat panel | 55 inch   |

NOTE: Excluding numeric lock ref. 230052 as depicted

**Options for double column floor stands**



|                          |  |
|--------------------------|--|
| <b>Ref.</b>              | <b>390712</b>  |
| Type                     | Back-to-back L&S 3 mounting head. To be fixed to ref. 390711 |
| Max. diagonal flat panel | 55 inch  |

NOTE: Excluding numeric lock ref. 230052 as depicted

**Option**



|             |  |
|-------------|--|
| <b>Ref.</b> | <b>P3496</b>   |
| Type        | Flat panel landscape-portrait rotatable adaptor. Manual 90° rotation of the flat panel |
| Max. load   | 80 Kg  |
| Colour      | black RAL 9005   |

